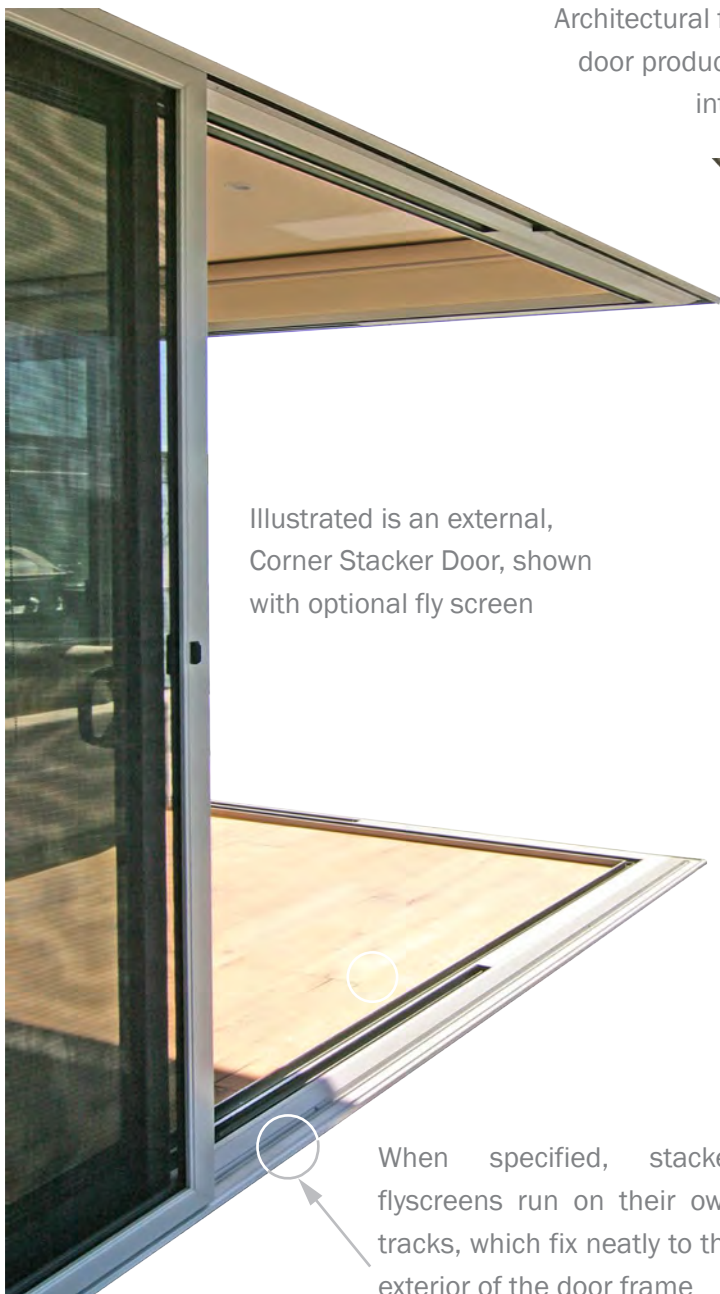


CORNER SLIDING & 6 PANEL STACKER DOORS



AA SERIES

Architectural features such as alfresco dining areas or cantilevered structures often demand more than traditional, linear door products. In response, Rylock has expanded its 4 Panel Sliding & 6 Panel Stacker Door configurations to include internal & external corner versions. Naturally, this includes provision for fly screening in all designs



Illustrated is an external, Corner Stacker Door, shown with optional fly screen

When specified, stacker flyscreens run on their own tracks, which fix neatly to the exterior of the door frame



As both corner doors are evolutions of sliding & stacker doors respectively, the vast majority of frame design & hardware can be seen in more detail within the relevant Product Brochures. Note however, that the instile lock & architectural handle cannot be fitted to any corner doors



Shown above is an internal, corner sliding door, with standard flyscreen

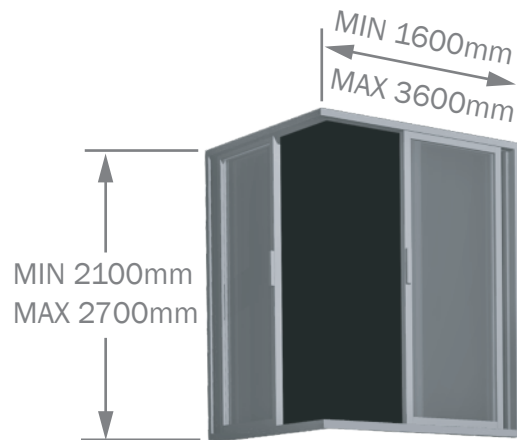
Shown at left is an external corner sliding door

CORNER SLIDING & 6 PANEL STACKER DOORS



AA SERIES

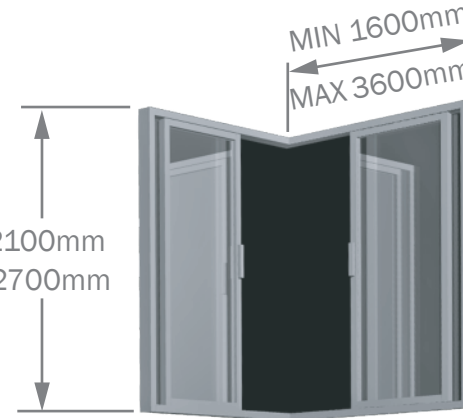
EXTERNAL CORNER,
4 PANEL
SLIDING DOORS



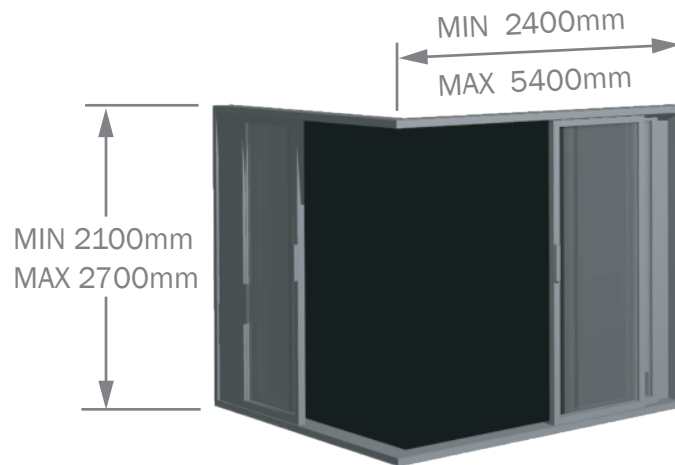
MIN 2100mm
MAX 2700mm

MIN 1600mm
MAX 3600mm

INTERNAL CORNER,
4 PANEL
SLIDING DOORS



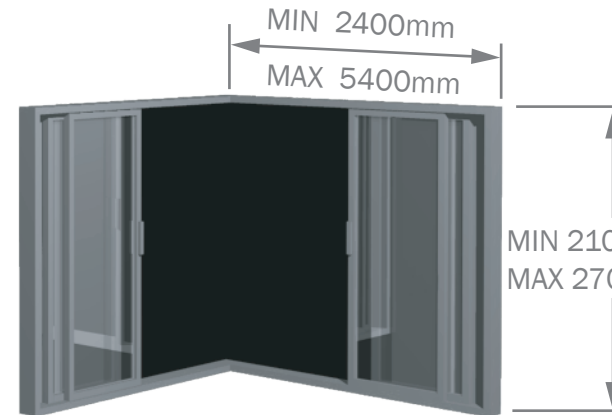
EXTERNAL CORNER,
6 PANEL
STACKER DOORS



MIN 2100mm
MAX 2700mm

MIN 2400mm
MAX 5400mm

INTERNAL CORNER,
6 PANEL
STACKER DOORS



MIN 2100mm
MAX 2700mm

MIN 2400mm
MAX 5400mm

NOTE: ALL SIZES ARE TYPICAL RATHER THAN DEFINITIVE. FOR SIZES OUTSIDE OF THESE PLEASE TALK WITH YOUR RYLOCK SALES CONSULTANT. NOTE THAT FLYSCREEN DOORS OVER 1200mm IN WIDTH WILL REQUIRE A SPREADER BAR TO RETAIN TENSION, & SCREENS WITH STAINLESS STEEL MESH CAN ONLY BE SUPPLIED TO A MAXIMUM WIDTH OF 1500mm.

Sizing

Door style & opening detail should be considered as viewed externally
Sizes indicated are the overall door size, & are the same for both sides of the corner door. For Stud openings add 20mm to both height & width

Glazing

Glazing strength to minimum N3 rating as per AS4055 - 2006
Glazing to be grade A safety glass

Certification

Certified performance data is available for this product on request

Specify

Frame colour, configuration, height, width & depth
Optional: handle type & colour (no instile option), patio bolts, flyscreen, frame infill, frame equaliser, sill flap, glass type