

# SLIDING DOOR

## AA SERIES



Sliding doors encourage access to the outdoors from interior living spaces, whilst also offering efficient ventilation. The slimline layout results in minimal intrusion into rooms or walkways, & is available with 2, 3 or 4 panels



The secure lock assembly features anti-lift pins & is key lockable from both sides (left). An instyle lock & architectural handle (see right) is an optional upgrade (satin-chrome finish only)



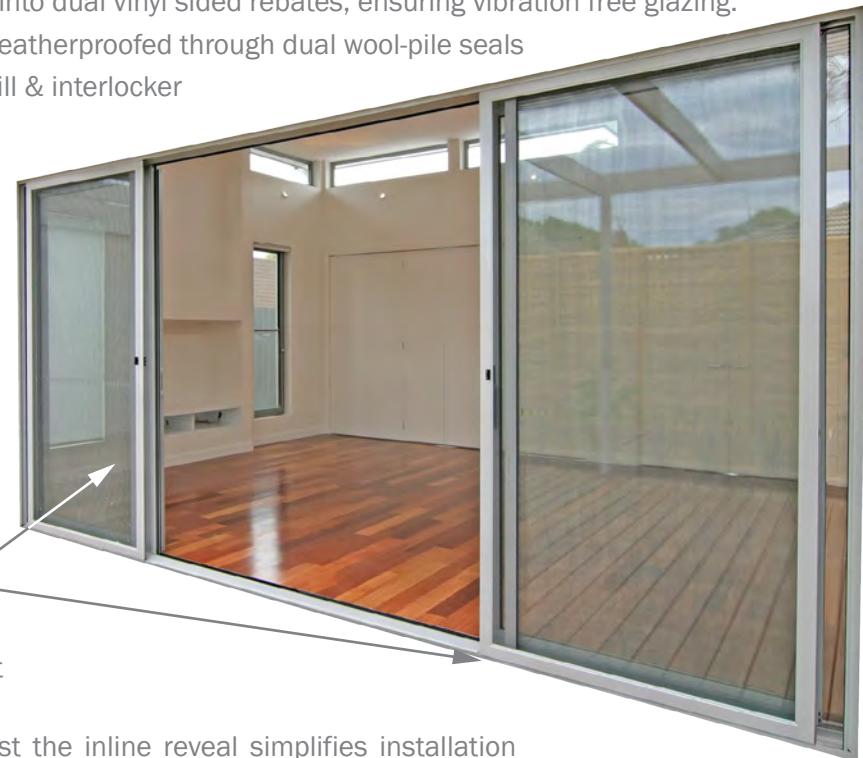
Outer frame corners are mitred for a clean appearance. All fixings are made from durable stainless steel

All glass is installed into dual vinyl sided rebates, ensuring vibration free glazing. Sliding panels are weatherproofed through dual wool-pile seals at the head, jamb, sill & interlocker

Fly screens fit to the outside, & run on tracks within the door's outer frame

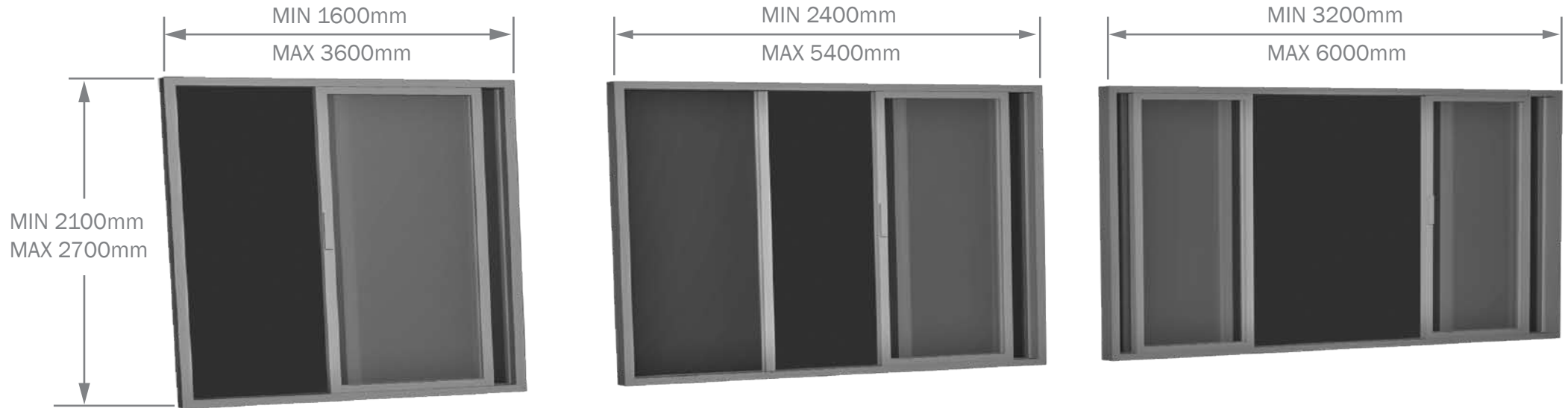
All panels roll on two 80kg rated, ball-bearing carriages which run on an anodised track insert

The optional snap-in frame closure has a 15 x 3mm pocket for flashing insertion, whilst the inline reveal simplifies installation



# SLIDING DOOR

## AA SERIES



**NOTE:** ALL SIZES ARE TYPICAL RATHER THAN DEFINITIVE. FOR SIZES OUTSIDE OF THESE PLEASE TALK WITH YOUR RYLOCK SALES CONSULTANT. NOTE THAT FLYSCREEN DOORS OVER 1200mm IN WIDTH WILL REQUIRE A SPREADER BAR TO RETAIN TENSION, & SCREENS WITH STAINLESS STEEL MESH CAN ONLY BE SUPPLIED TO A MAXIMUM WIDTH OF 1500mm.

### Sizing

Door style & opening detail should be considered as viewed externally

Sizes indicated are the overall door size. For Stud openings add 20mm to both height & width

### Glazing

Glazing strength to minimum N3 rating as per AS4055 - 2006

Glazing to be grade A safety glass

### Certification

Certified performance data including WERS ratings are available for this product on request

### Specify

Frame colour, configuration, height, width & depth

Optional: handle type & colour (where applicable), dummy handles, patio bolts, flyscreen, frame infill, frame equaliser, sill flap, glass type