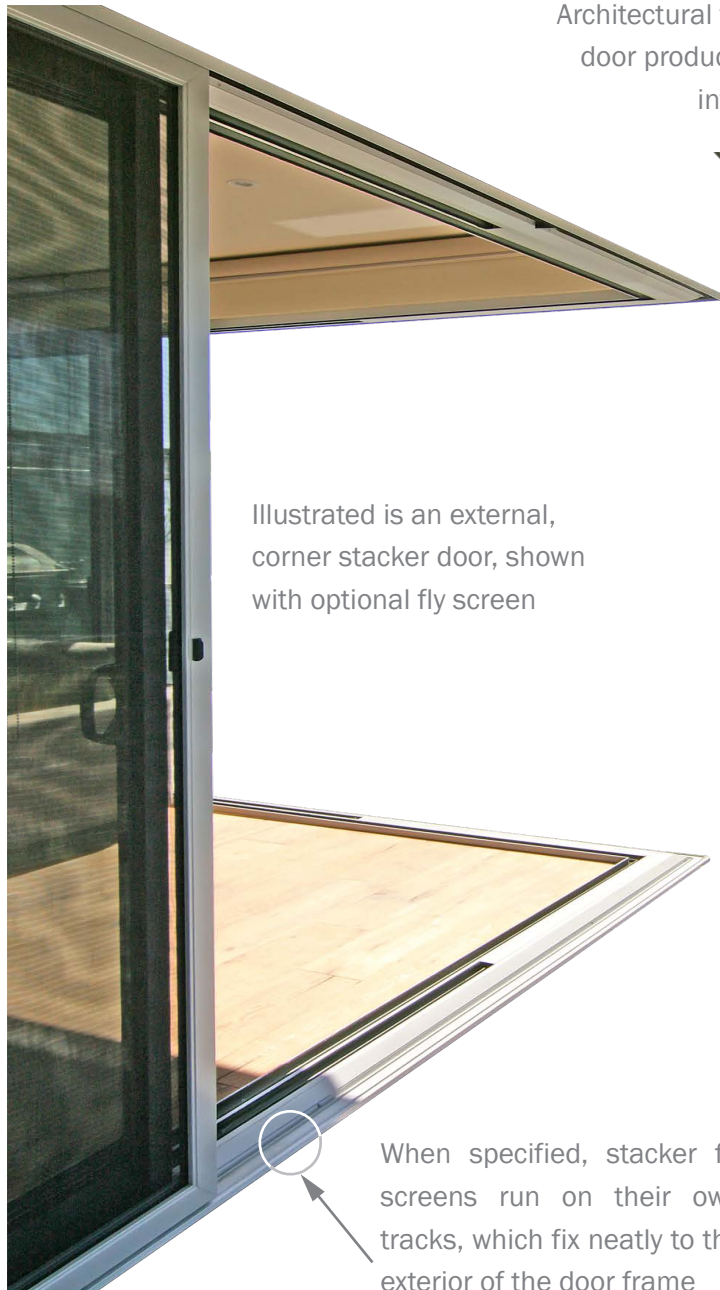


CORNER SLIDING & STACKER DOORS



AA SERIES - 125mm (Sliding) or 150mm (Stacker) FRAME

Architectural features such as alfresco dining areas or cantilevered structures often demand more than traditional, linear door products. In response, Rylock has expanded its 4 Panel Sliding & 6 Panel Stacker Door configurations to include internal & external corner versions. Naturally, this includes provision for fly screening in all designs



Illustrated is an external, corner stacker door, shown with optional fly screen

When specified, stacker fly screens run on their own tracks, which fix neatly to the exterior of the door frame



As both corner doors are evolutions of sliding & stacker doors respectively, the vast majority of frame design & hardware can be seen in more detail within the relevant Product Brochures. Note however, that the instile lock & architectural handle cannot be fitted to any corner doors



Shown above is an internal, corner sliding door (as viewed from the inside)

Shown at left is an external corner sliding door

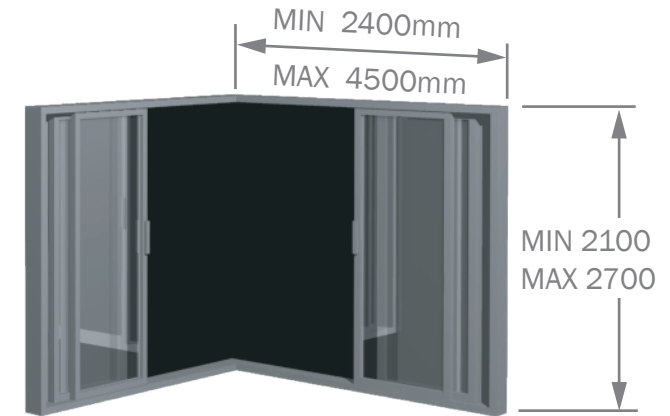
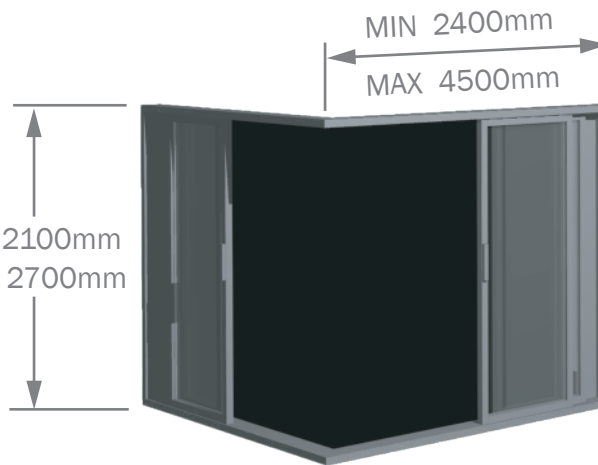
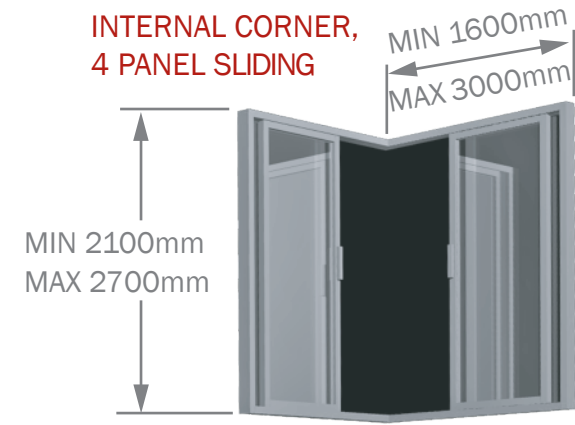
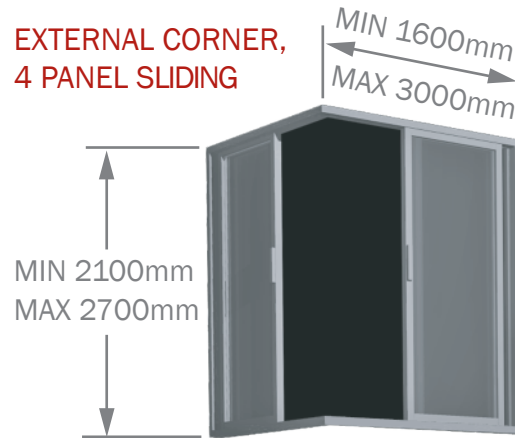
CORNER SLIDING & STACKER DOORS



AA SERIES - 125mm (Sliding) or 150mm (Stacker) FRAME

NOTE:

ALL SIZES ARE TYPICAL RATHER THAN DEFINITIVE. FOR SIZES OUTSIDE OF THESE, PLEASE TALK WITH YOUR RYLOCK SALES CONSULTANT. NOTE THAT FLY SCREEN DOORS OVER 1200mm WIDE WILL REQUIRE A SPREADER BAR TO RETAIN TENSION, & SCREENS WITH STAINLESS STEEL MESH CAN ONLY BE SUPPLIED TO A MAXIMUM WIDTH OF 1500mm.



Sizing

Door style & opening detail should be considered as viewed externally
 Sizes indicated are the overall door size.
 For Stud openings add 20mm to both height & width

Glazing

Glazing strength to minimum N3 rating, grade A safety glass
 Maximum double glazed panel thickness is 22.38mm

Certification

Certified performance data including WERS ratings are available for this product on request

Specify

Frame colour, configuration, height, width & depth, reveal type (including for plaster reveals)

Optional: interlocker type (Sliding only), handle type & colour, patio bolt & colour, fly screen, mesh type, external frame infill, reveal equaliser, sill flap, glass type

EXTERNAL CORNER,
6 PANEL STACKER

INTERNAL CORNER, 6 PANEL STACKER

The above product sizes comply with structural requirements (AS2047-2014, Windows and external glazed doors in buildings) for an 'N1' wind rating (AS4055-2012, Wind loads for housing).

This is typical of sites in suburban areas. In addition, the location has a Terrain Category of 3, is Topographic Class 1 or 2 and assumes the building will be surrounded by others of similar size.

Please specify if your site has different characteristics to any of those listed. Your building professional (architect, designer, surveyor, engineer, builder, etc.) can often assist with such determinations.